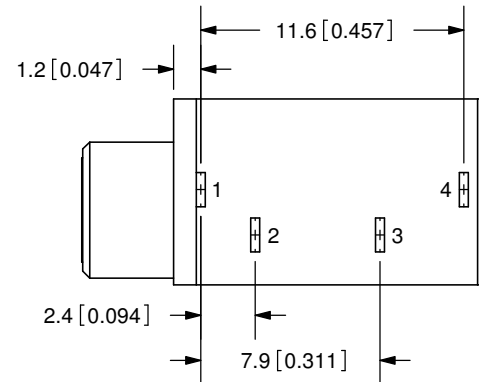
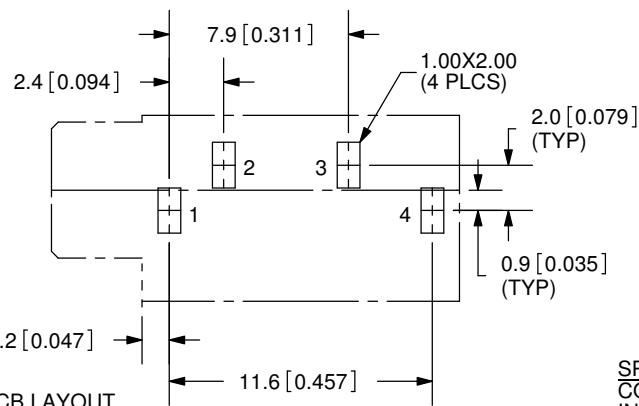
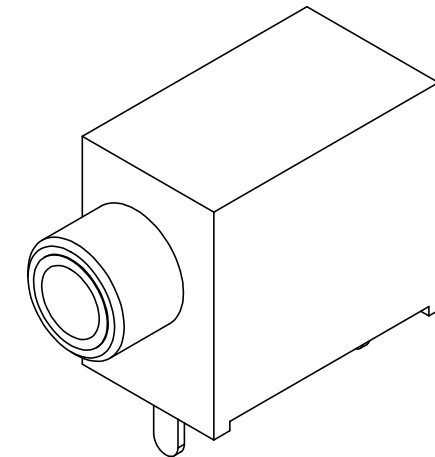
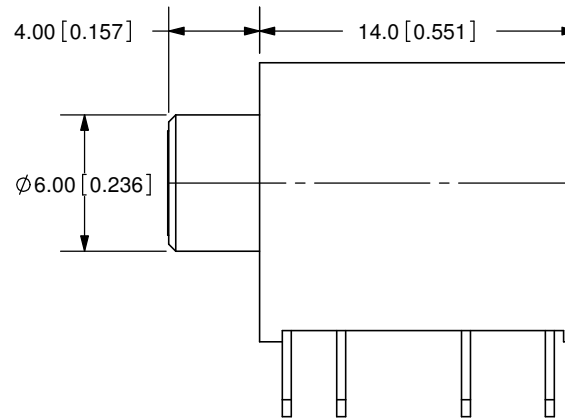
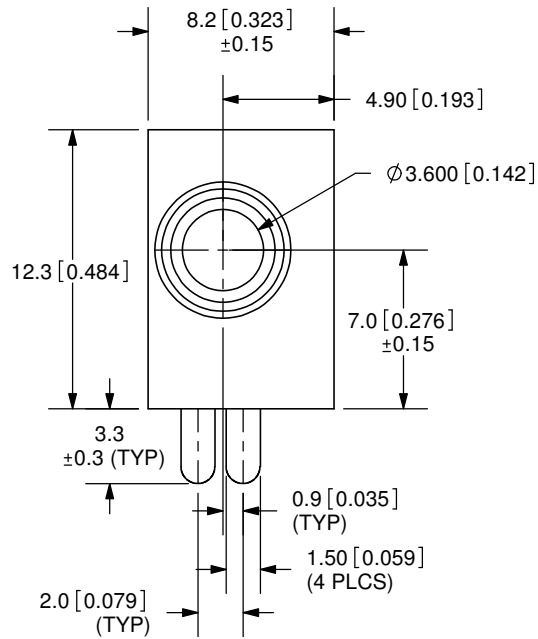


REV.	DESCRIPTION	DATE
A	NEW DRAWING	6/4/2007

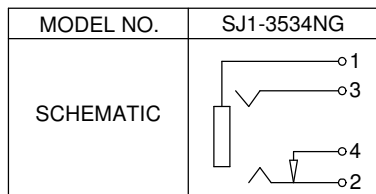


TOLERANCE:
±0.3mm UNLESS OTHERWISE
SPECIFIED



PCB LAYOUT
TOP VIEW

SPECIFICATIONS:
CONTACT RESISTANCE: 50m OHMS MAX
INSULATION RESISTANCE: 100M OHMS MIN: 500V DC
VOLTAGE WITHSTAND: 500V AC R.M.S. FOR 1 MINUTE
LIFE: 5,000 CYCLES



	MATERIAL	PLATING
TERMINAL 1	Brass	Tin
TERMINAL 2	Brass	Tin
TERMINAL 3	Brass	Tin
TERMINAL 4	Brass	Tin
BUSHING	Brass	Nickel
SPRING	Stainless Steel	
HOUSING	PBT	
COVER	PBT	



20050 SW 112th Ave.
Tualatin, OR 97062
Phone: 503-612-2300
800-275-4899
Fax: 503-612-2383
Website: www.cui.com

TITLE:	3.5mm RIGHT ANGLE STEREO JACK	REV:	A
PART NO.	SJ1-3534NG	UNITS:	MM [INCHES]
DRAWN BY:	ZRJ	APPROVED BY:	
		SCALE:	3:1

PC FILE NAME:
SJ1-3534NG

COPYRIGHT 2007 BY CUI INC.